




**DSE9474 & DSE9484 Installation Instructions**

 **DANGER OF DEATH: LIVE PARTS exist within the DSE9474 & DSE9484 enclosures. The enclosure cover must not be removed.**

**INSTALLATION**

The DSE9474 & DSE9474 battery chargers are designed to be mounted within a control panel, utilising the integral mounting holes. The DSE9474 & DSE9484 battery chargers are fit-and-forget. It may be permanently connected to the supply and the load, with no requirement to disable the charger during times of heavy load (such as engine cranking) or when in parallel with a charging alternator.

**BATTERY SUITABILITY**


The chargers are factory set by DSE to suit Lead Acid batteries and may be ordered to suit other battery types. Additionally, configuration is possible using the DSE Configuration Suite PC Software to suit other battery types. Care must be taken to ensure the batteries connected to the charger are of the correct 'technology' to suit the setting of the charger.


**INDICATIONS**

The DSE9474 & DSE9484 Battery Chargers feature LED indicators to show the battery charger status.

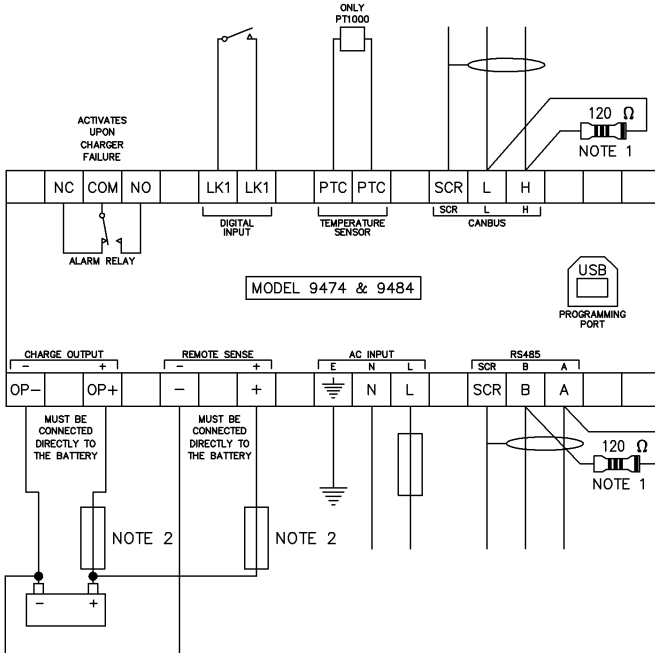
**DIMENSIONS AND MOUNTING**

Case Dimensions	240 mm x 269 mm x 89 mm (9.4" x 10.4" x 3.5")
Mounting Holes Dimensions	Suitable for M5 (3/16" diameter)
Mounting Hole Spacings	231.5 mm x 163.5 mm (9.1" x 6.4")

 **NOTE: The DSE9000 series chargers are designed to be mounted with the base to a vertical surface with the terminal strips at the bottom.**

 **NOTE: This document is intended as a 'quick start' guide only. For full operating instructions and specifications, refer to DSE publication: 057-231 DSE9474 & DSE9484 Operator Manual.**

# TYPICAL CONNECTION DIAGRAM



NOTE 1  
A 120 OHM TERMINATION RESISTOR MUST BE FITTED IF IT IS THE FIRST OR LAST DEVICE ON THE CANBUS OR RS485 LINK

NOTE 2  
FUSE APPROPRIATELY AND AS CLOSE TO THE BATTERY AS POSSIBLE TO PROTECT THE CABLES AND BATTERY

**NOTE:** To ensure minimum voltage drop between the battery and battery charger, use as large a diameter cable as possible.

Connection Type	Screw terminal, rising clamp, no internal spring	
Min Cable Size	0.5 mm <sup>2</sup> (AWG 20)	
Max Cable Size (Battery Connection)	10 mm <sup>2</sup> (AWG 6)	
Max Cable Size (Other Connections)	2.5 mm <sup>2</sup> (AWG 14)	
Recommended AC Fuse DSE9474	<b>230 V AC Input</b> 20 A anti-surge	<b>110 V AC Input</b> 20 A anti-surge
Recommended AC Fuse DSE9484	<b>230 V AC Input</b> 10 A anti-surge	<b>110 V AC Input</b> 10 A anti-surge

<p><b>Deep Sea Electronics Plc.</b>                  Tel: +44 (0)1723 890099                  Fax: +44 (0)1723 893303                  Email: sales@deepseapl.com                  Web: www.deepseapl.com</p>	<p><b>Deep Sea Electronics Inc.</b>                  Phone: +1 (815) 316-8706                  Fax: +1 (815) 316- 8708                  Email: sales@deepseausa.com                  Web: www.deepseausa.com</p>
---	--